

**Force Engineering & Testing**

19530 Ramblewood Drive

Humble, Texas 77338

Phone: (281) 540-6603, Fax: (281) 540-9966

Website: [forceengineeringtesting.com](http://forceengineeringtesting.com)

**Product Evaluation Report**

**SENTRIGARD METAL ROOFING SYSTEMS ASSOCIATION, INC.,  
an NB HANDY COMPANY**

***Sentrigard SL 100H, 24 Ga. Roof Panel over Plywood***

**Florida Product Approval # 9860.10 R6**

Florida Building Code 2020

Per Rule 61G20-3

Method: 1 –D

Category: Roofing

Subcategory: Metal Roofing

Compliance Method: 61G20-3.005(1)(d)

HVHZ

**Product Manufacturer:**

**Sentrigard Metal Roofing Systems Association, Inc.,**

**an NB Handy Company**

**65 10th Street**

**Lynchburg, Virginia 24502**

**Engineer Evaluator:**

**Johnathan Green, P.E. #88223**

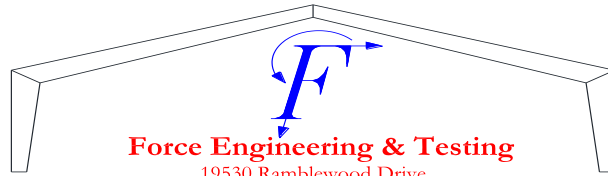
**Florida Evaluation ANE ID: 12901**

**Validator:**

**Brian Jaks P.E. #70159**

**Contents:**

**Evaluation Report    Pages 1 – 4**



**Force Engineering & Testing**

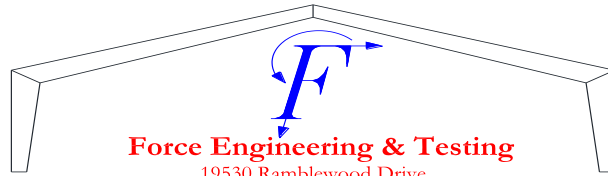
19530 Ramblewood Drive

Humble, Texas 77338

Phone: (281) 540-6603, Fax: (281) 540-9966

Website: [forceengineeringtesting.com](http://forceengineeringtesting.com)

<b>Compliance Statement:</b>	The product as described in this report has demonstrated compliance with the Florida Building Code 2020, Sections 1504.3.2, 1518.9, 1523.6.5.2.4.
<b>Product Description:</b>	Sentrigard SL 100H, 1" Snap Lock Standing Seam Roof Panel, 24 Ga. Steel, 17" Wide, Roof Panel restrained with steel slider clips into APA Plywood decking. Non-structural Application.
<b>Panel Material/Standards:</b>	Material: 24 Ga. Steel, ASTM A792 unpainted or painted with Valspar Fluropon or ASTM A653 G90 conforming to Florida Building Code 2020 Section 1507.4.3. Yield Strength: Min. 50.0 ksi Corrosion Resistance: Panel Material shall comply with Florida Building Code 2020, Section 1507.4.3
<b>Panel Dimension(s):</b>	Thickness: 0.024" Width: 17" max coverage Rib Height: 1" Panel Seam: Snap Lock
<b>Roof Panel Clips:</b>	Product Name: 1000SNS Type: Fixed, 18 Ga., 3 1/2" long Corrosion Resistance: Per Florida Building Code 2020 Section 1506.7
<b>Roof Clip Fastener:</b>	(2) #12-11 Pancake Type A 1/4" minimum penetration through plywood Corrosion Resistance: Per Florida Building Code 2020, Section 1517.6.
<b>Substrate Description:</b>	1) For HVHZ construction, use 19/32" or greater APA Rated plywood or wood plank. In reroofing applications where the deck is less than 19/32" thick (min. 15/32") the attachment of the decking in no case shall be less than 8D annual ring shank nails at 6" O.C. Design of plywood and plywood supports are outside the scope of this evaluation. Substrate must be designed in accordance w/ Florida Building Code 2020.  2) For Non-HVHZ applications, use min. 15/32" thick, APA Rated plywood over supports at maximum 24" O.C. Design of plywood and plywood supports are outside the scope of this evaluation. Substrate must be designed in accordance w/ Florida Building Code 2020.



**Force Engineering & Testing**  
19530 Ramblewood Drive  
Humble, Texas 77338  
Phone: (281) 540-6603, Fax: (281) 540-9966  
Website: forceengineeringtesting.com

**Allowable Design Uplift Pressures:**

**Table "A"**

<b>Maximum Total Uplift Design Pressure:</b>	67.3 psf	131.0 psf
<b>Clip Spacing:</b>	24" O.C.	6" O.C.
<b># Fasteners per Clip:</b>	2	2

\*Design Pressure includes a Safety Factor = 2.0.

**Code Compliance:**

The product described herein has demonstrated compliance with The Florida Building Code 2020, Section 1504.3.2, 1518.9, 1523.6.5.2.4.

**Evaluation Report Scope:**

The product evaluation is limited to compliance with the structural wind load requirements of the Florida Building Code 2020, as relates to Rule 61G20-3.

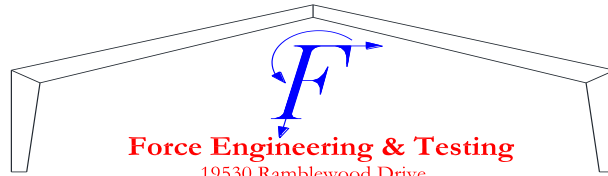
**Performance Standards:**

The product described herein has demonstrated compliance with:

- TAS 125-03
- UL 580-06 - Test for Uplift Resistance of Roof Assemblies
- UL 1897-2012 - Uplift Test for Roof Covering Systems
- TAS 100-95 - Test Procedure for Wind and Wind Driven Rain Resistance of Discontinuous Roof Systems
- TAS 110-00 - Accel. Weathering ASTM G 155 / Salt Spray ASTM B 117

**Reference Data:**

1. TAS 125-03: UL 580-94 / 1897-98 Uplift Test  
Force Engineering & Testing, Inc. (FBC Organization # TST-5328)  
Report No. 72-0210T-07\*
2. TAS 100-95  
Farabaugh Engineering & Testing, Inc. (FBC Organization # TST-1654)  
Report No. T233-07\*
3. TAS 110-00: Valspar Fluropon coated metal panel testing  
A) ASTM G 155  
B) ASTM B 117
4. Miami-Dade County  
Dept. of Regulatory and Economic Resources Board and Code Admin. Div.  
Notice of Acceptance (NOA) 19-0722.05; Expires 08/25/2025  
Sentrigard Metal Roofing Systems Association, Inc.
5. Certificate of Independence  
By Johnathan Green, P.E. #88223



**Force Engineering & Testing**

19530 Ramblewood Drive

Humble, Texas 77338

Phone: (281) 540-6603, Fax: (281) 540-9966

Website: [forceengineeringtesting.com](http://forceengineeringtesting.com)

**Test Standard Equivalency:**

1. The UL 580-94 test standard is equivalent to the UL 580-06 test standard.
2. The UL 1897-98 test standard is equivalent to the UL 1897-2012 test standard.

**Quality Assurance Entity:**

The Report Holder has demonstrated compliance with Florida Building Code and Rule 61G20-3.005 (3) for manufacturing locations audited by an approved quality assurance entity (Keystone Certifications, Inc – FBC Org ID QUA 1824). A listing of manufacturers authorized by the Report Holder to employ the Florida Product Approvals qualified by this report can be found at

<http://www.keystonecerts.com/ga-assoc/sentrigard>

or by scanning the following QR Code:



**Minimum Slope Range:**

2:12. Minimum Slope shall comply with Florida Building Code 2020, including Sections 1515.2.2 and in accordance with Manufacturers recommendations.

**Installation:**

Install per manufacturer's recommended details and RAS 133.

**Underlayment:**

Per Manufacturer's installation guidelines per Florida Building Code 2020 Section 1518.2, 1518.3, 1518.4.

**Fire Barrier:**

Any approved fire barrier having a current NOA. Refer to a current fire directory listing for fire ratings of this roofing system assembly as well as the location of the fire barrier within the assembly. Fire classification is not part of this acceptance.



**Force Engineering & Testing**

19530 Ramblewood Drive

Humble, Texas 77338

Phone: (281) 540-6603, Fax: (281) 540-9966

Website: [forceengineeringtesting.com](http://forceengineeringtesting.com)

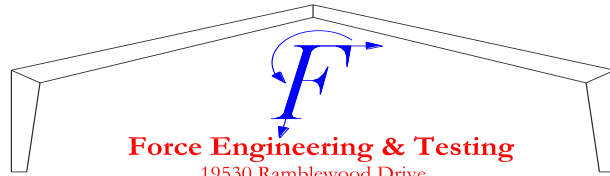
**Shear Diaphragm:**

Shear diaphragm values are outside the scope of this report.

**Design Procedure:**

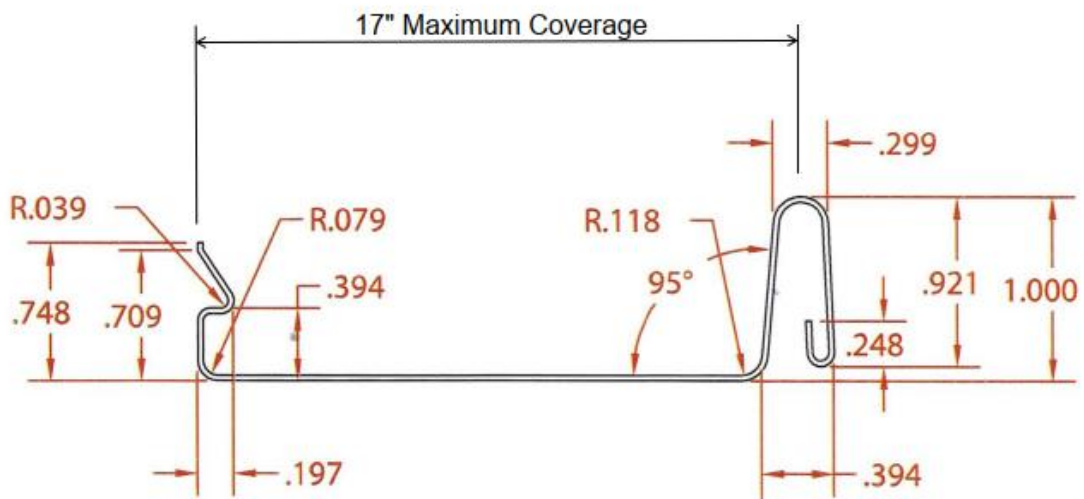
Based on the dimensions of the structure, appropriate wind loads are determined using Chapter 16 of the Florida Building Code 2020 for roof cladding wind loads. These component wind loads for roof cladding are compared to the allowable pressure listed above. The design professional shall select the appropriate erection details to reference in his drawings for proper fastener attachment to his structure and analyze the panel fasteners for pullout and pullover. Support framing must be in compliance with Florida Building Code 2020 Chapter 22 for steel, Chapter 23 for wood and Chapter 16 for structural loading.

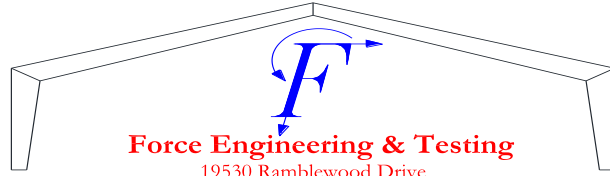
\*The Test Reports are owned by Metalforming, Inc. Metalforming, Inc. gives the above manufacturer permission to use these test reports.



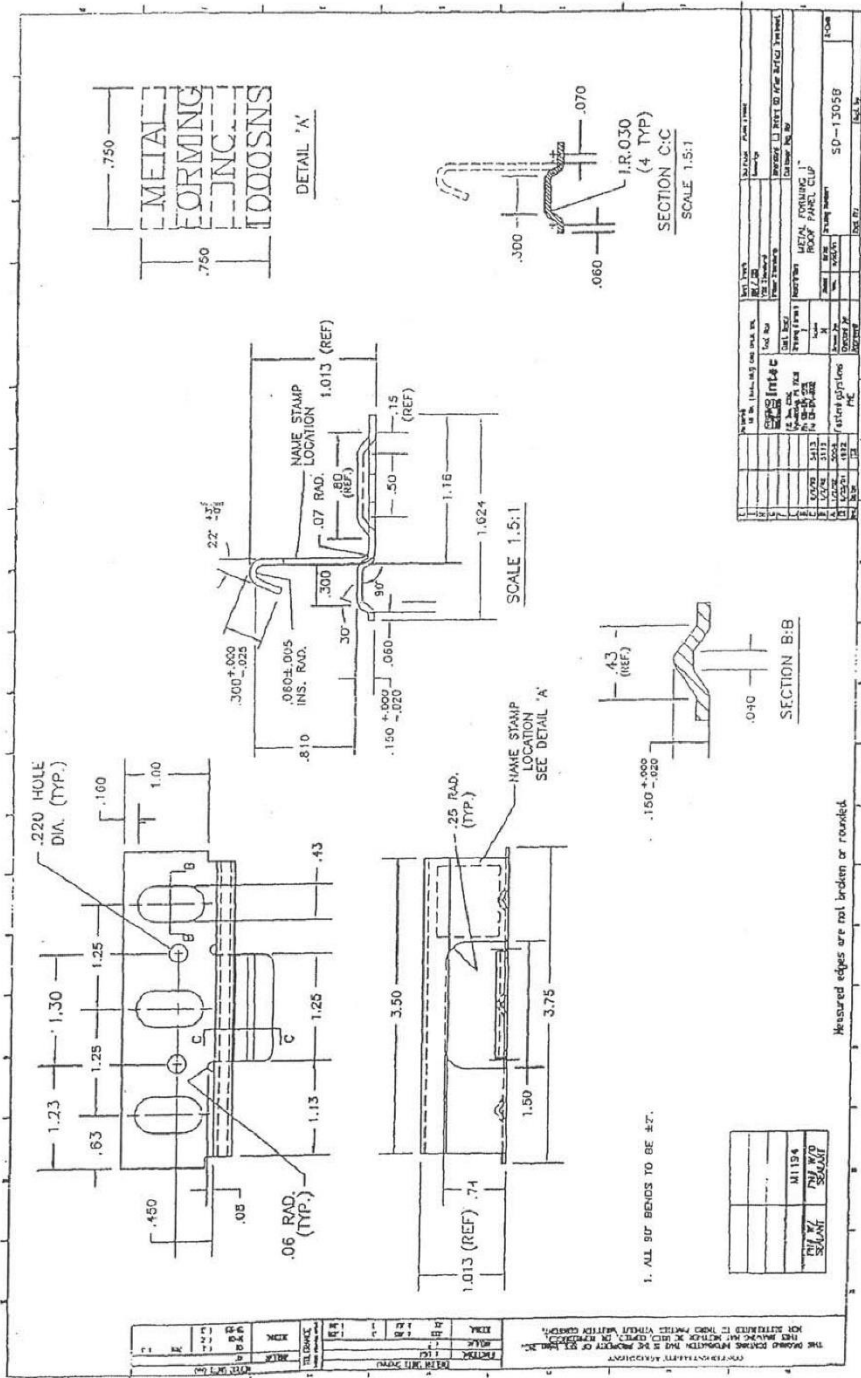
**Force Engineering & Testing**  
19530 Ramblewood Drive  
Humble, Texas 77338  
Phone: (281) 540-6603, Fax: (281) 540-9966  
Website: forceengineeringtesting.com

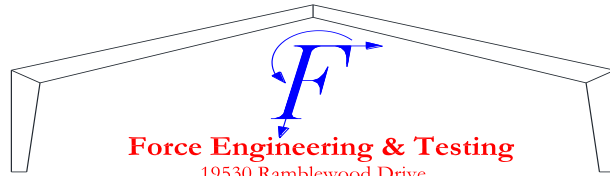
### 1 Inch Snap Seam Panel



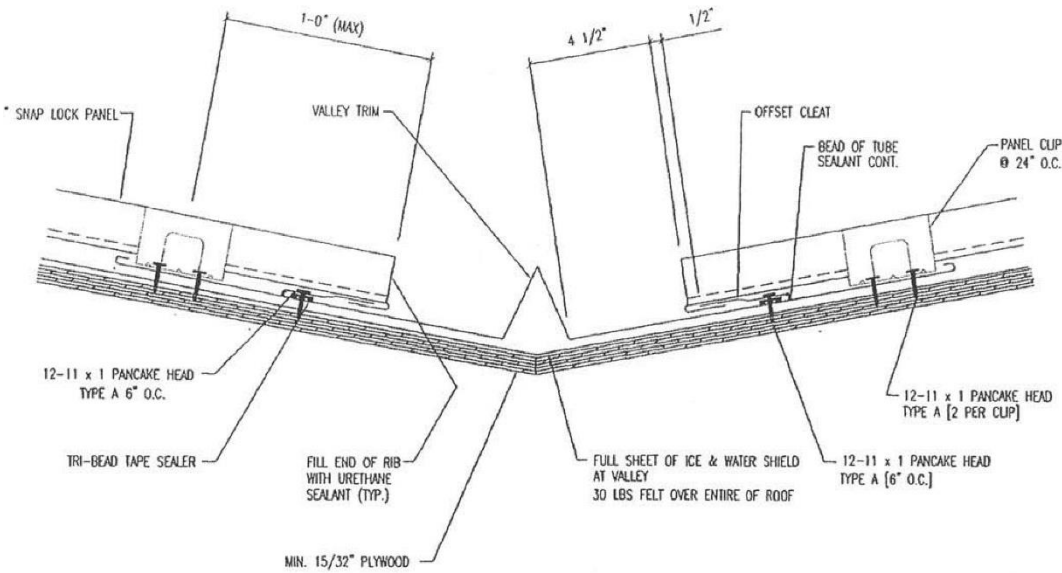
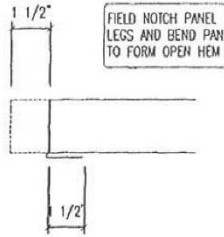


**Force Engineering & Testing**  
19530 Ramblewood Drive  
Humble, Texas 77338  
Phone: (281) 540-6603, Fax: (281) 540-9966  
Website: forceengineeringtesting.com





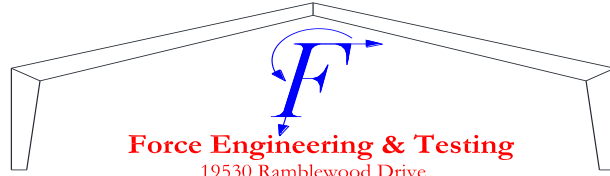
**Force Engineering & Testing**  
 19530 Ramblewood Drive  
 Humble, Texas 77338  
 Phone: (281) 540-6603, Fax: (281) 540-9966  
 Website: forceengineeringtesting.com



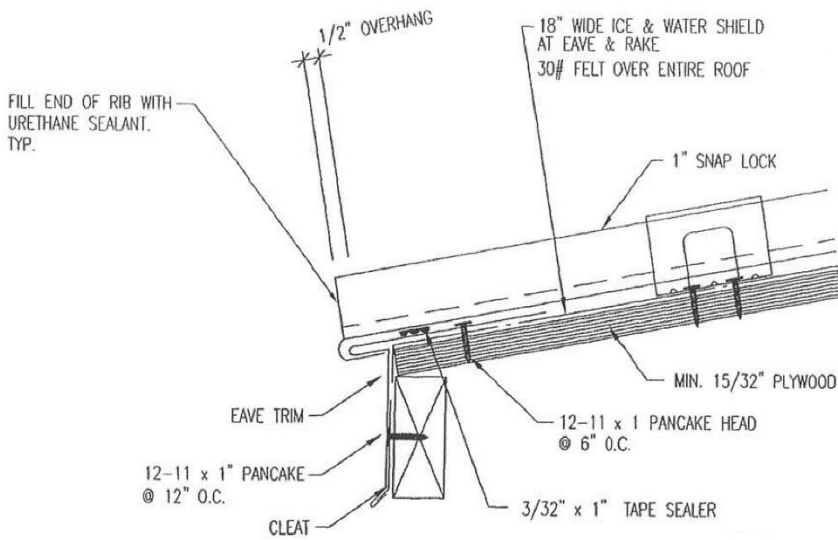
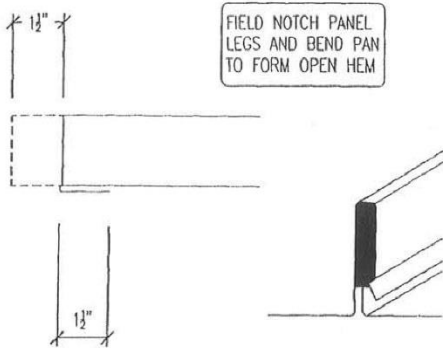
**FLOATING VALLEY**

**SENTRIGARD SL 100H**





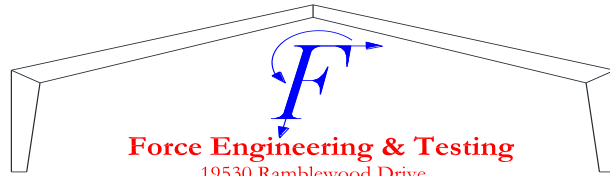
**Force Engineering & Testing**  
19530 Ramblewood Drive  
Humble, Texas 77338  
Phone: (281) 540-6603, Fax: (281) 540-9966  
Website: forceengineeringtesting.com



**FLOATING EAVE**

**SENTRIGARD SL 100H**

**FL# 9860.10 R6**



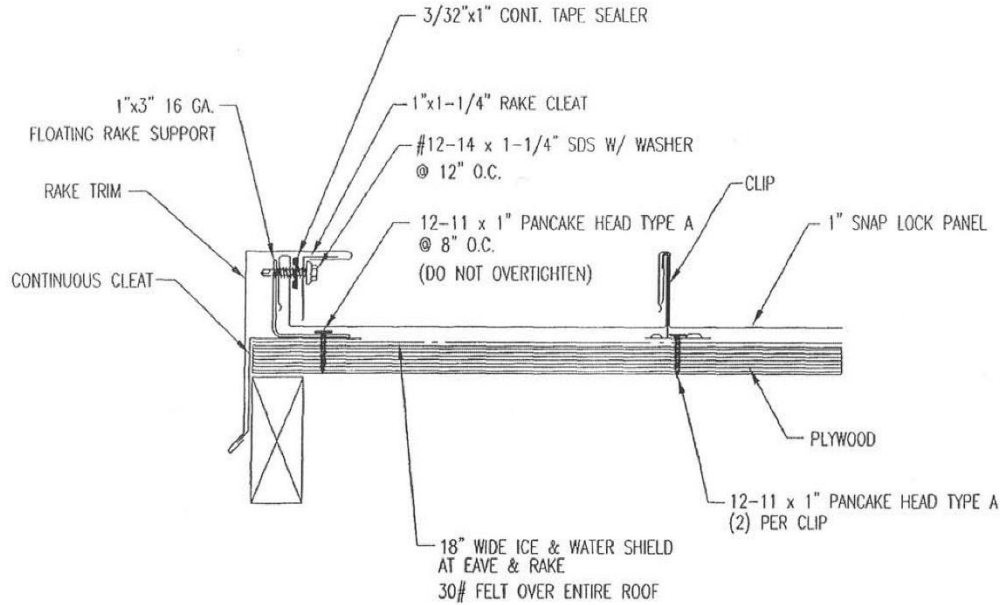
**Force Engineering & Testing**

19530 Ramblewood Drive

Humble, Texas 77338

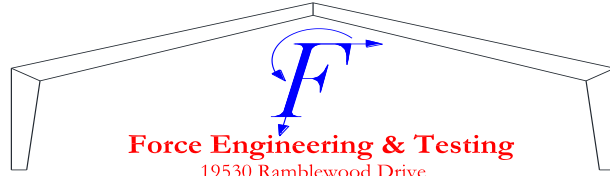
Phone: (281) 540-6603, Fax: (281) 540-9966

Website: forceengineeringtesting.com

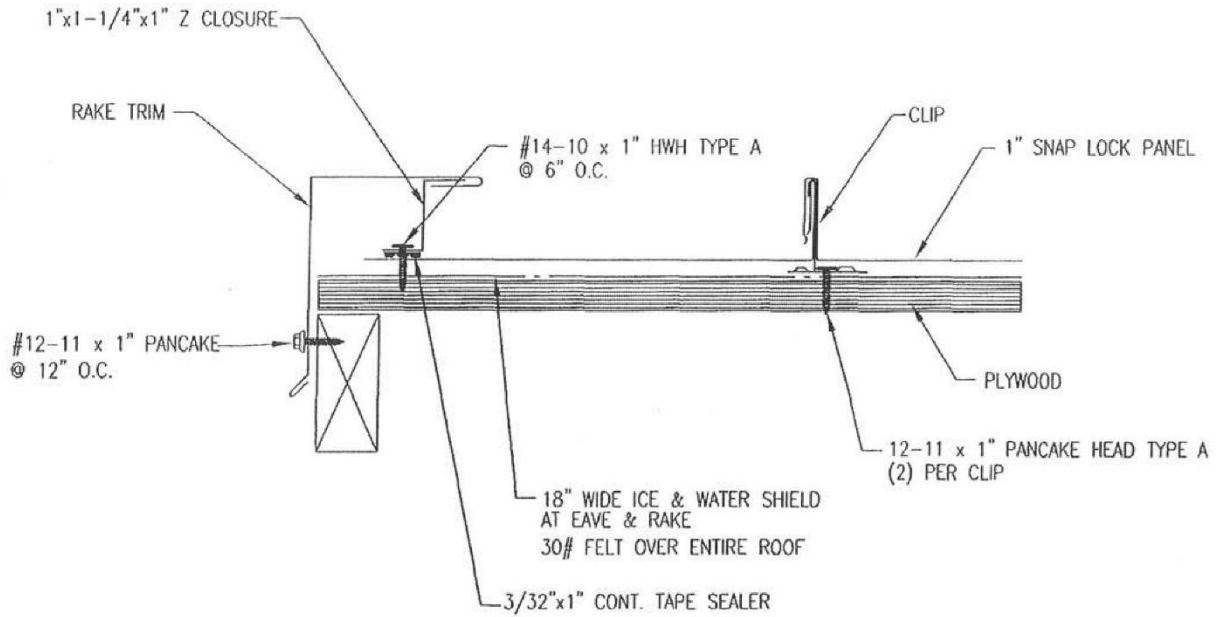


**FLOATING RAKE**

**SENTRIGARD SL 100H**

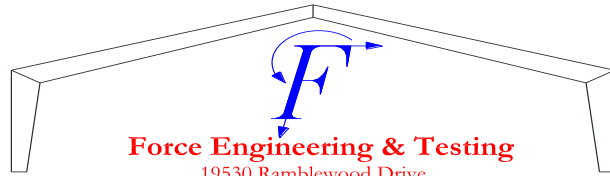


**Force Engineering & Testing**  
19530 Ramblewood Drive  
Humble, Texas 77338  
Phone: (281) 540-6603, Fax: (281) 540-9966  
Website: forceengineeringtesting.com



**FIXED RAKE**

**SENTRIGARD SL 100H**



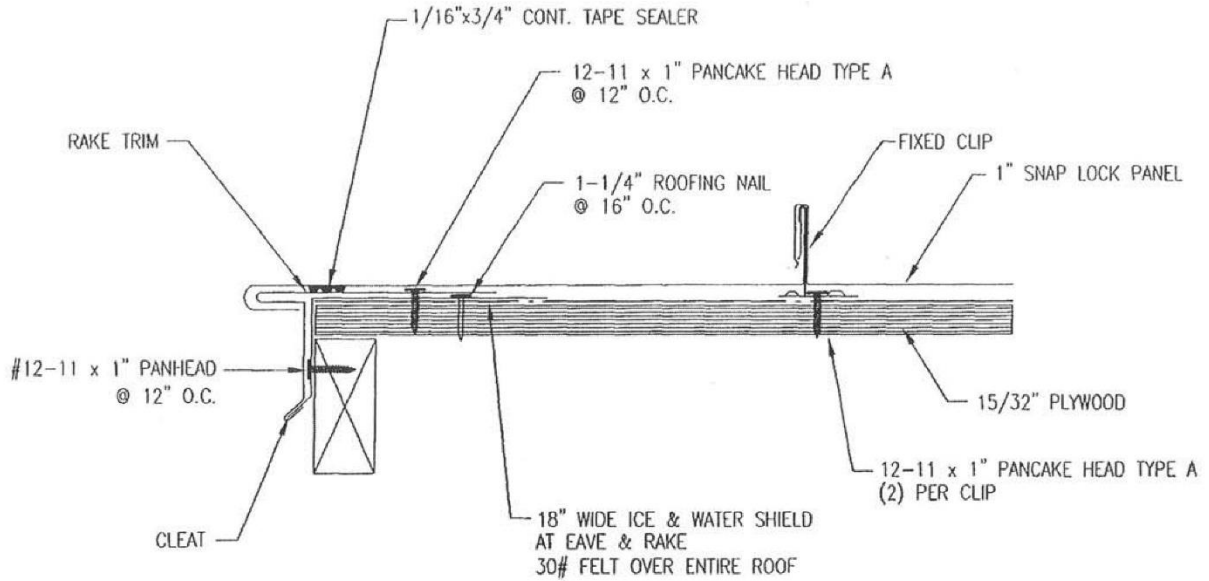
**Force Engineering & Testing**

19530 Ramblewood Drive

Humble, Texas 77338

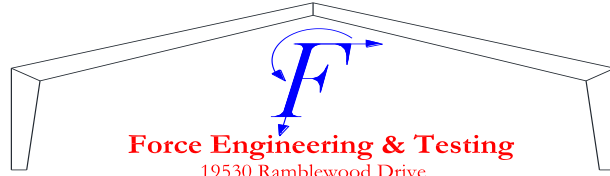
Phone: (281) 540-6603, Fax: (281) 540-9966

Website: forceengineeringtesting.com

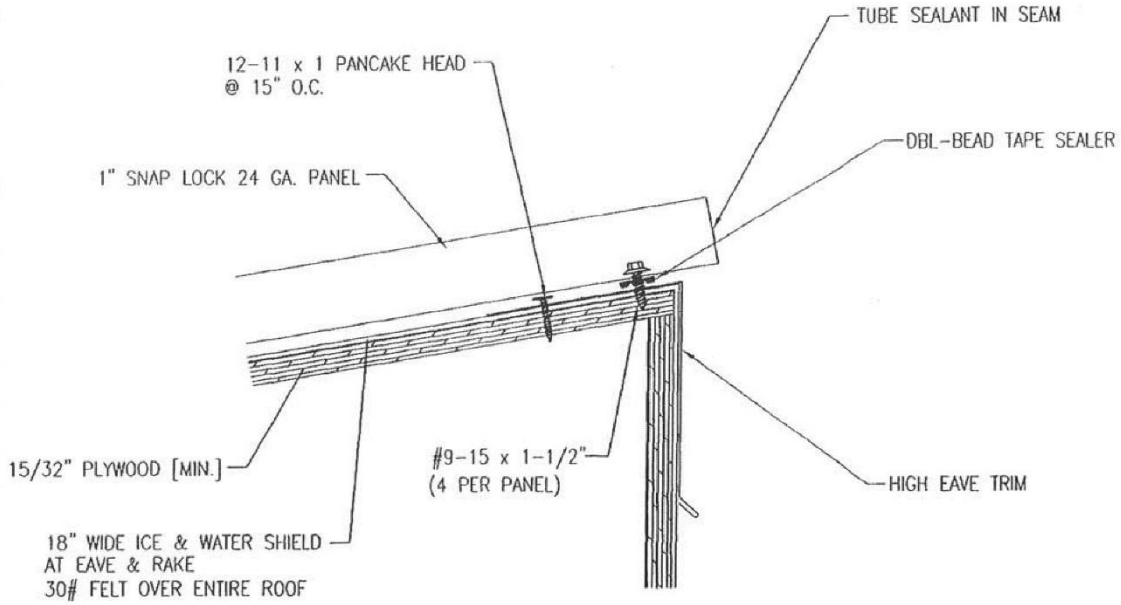


**FLOATING RAKE**

**SENTRIGARD SL 100H**



**Force Engineering & Testing**  
19530 Ramblewood Drive  
Humble, Texas 77338  
Phone: (281) 540-6603, Fax: (281) 540-9966  
Website: [forceengineeringtesting.com](http://forceengineeringtesting.com)



**HIGH EAVE DETAIL**

**SENTRIGARD SL 100H**